

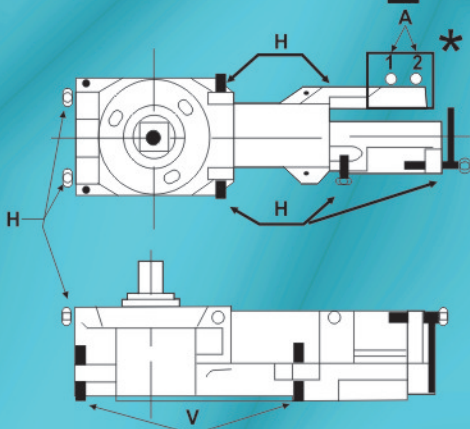
# everest®

SINCE 1971



# FLOOR

# SPRING



H - Horizontal Adjustment Bolts.  
V - Vertical Leveling Screws.  
A - Adjustment Screw - 1 & Adjustment Screw - 2

SPEED CONTROL \*



A

